
4 ALBERT EMBANKMENT
LONDON SE1 7SR
Telephone: +44 (0)20 7735 7611 Fax: +44 (0)20 7587 3210

MSC.1/Circ.1510
5 June 2015

**AMENDMENT TO THE UNIFIED INTERPRETATIONS OF SOLAS CHAPTER II-2,
THE FSS CODE, THE FTP CODE AND RELATED FIRE TEST PROCEDURES
(MSC/CIRC.1120)**

1 The Maritime Safety Committee, at its ninety-fifth session (3 to 12 June 2015), with a view to providing more specific guidance on the application of the Unified interpretations of SOLAS chapter II-2, the FSS Code, the FTP Code and related fire test procedures (MSC/Circ.1120), approved an amendment to the appendix to the annex to MSC/Circ.1120, as prepared by the Sub-Committee on Ship Design and Construction, at its second session (16 to 20 February 2015), as set out in the annex.

2 Member Governments are invited to apply the amendment to the appendix of the annex to MSC/Circ.1120 and to bring the amendment to the attention of all parties concerned.

ANNEX

**AMENDMENT TO THE UNIFIED INTERPRETATIONS OF SOLAS CHAPTER II-2,
THE FSS CODE, THE FTP CODE AND RELATED FIRE TEST PROCEDURES
(MSC/CIRC.1120)**

Appendix, figure 3

Figure 3 in the appendix of the Unified interpretations for typical arrangements for prevention of heat transmission at intersections and terminal points of insulation of decks and/or bulkheads, is amended as follows.

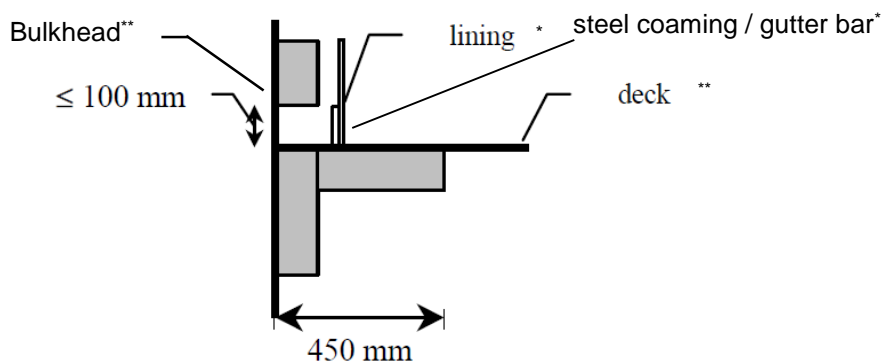


Figure 3

***Note:**

d = Depth of stiffener on girder.

*

Lining and steel coaming/gutter bar are for accommodation spaces only.

**

For the purpose of figure 3, bulkhead and deck are of steel construction only.